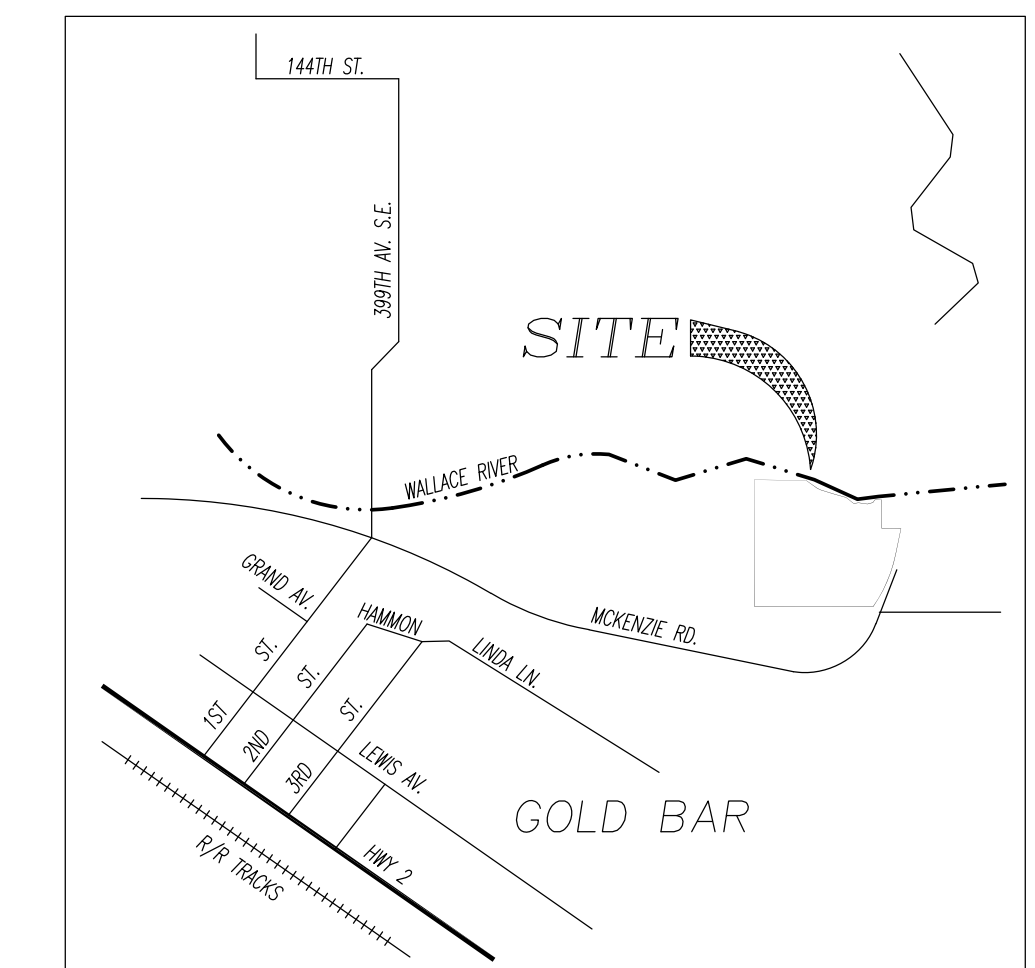
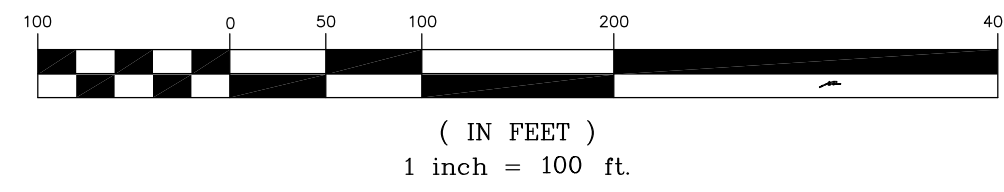


PTN. OF N.W.1/4, SECTION 5, TOWNSHIP 27 NORTH, RANGE 9 EAST, W.M.

GRAPHIC SCALE



VICINITY MAP:

**OWNER:**  
FALL VIEW, LLC  
10515 20TH ST SE, STE 202  
LAKE STEVENS, WA. 98258

**APPLICANT:**  
RYAN LARSEN  
LAND PRO GROUP, INC.  
10515 20TH ST SE, STE 202  
LAKE STEVENS, WA. 98258

**ENGINEER:**  
LDC, INC.  
MARK VILLWOCK, PE  
20210 142ND AVE NE  
WOODINVILLE, WA. 98072  
(425) 806-1869  
email: mvillwock@ldccorp.com

**SURVEYOR:**  
DAVID WEST  
WEST ALLIANCE, LLC  
13614 ASH WAY  
EVERETT, WA. 98204  
(425) 630-0783  
email: matrixsurveyor@live.com

**WETLAND BIOLOGIST:**  
ACRE ENVIRONMENTAL CONSULTING, LLC  
LOUIS EMENHISER, PRINCIPAL ECOLOGIST  
PO BOX 55248  
SHORELINE, WA. 98155  
(206) 450-7746

**TEXTUAL SITE DATA:**  
**BENCHMARK:**  
CHISELED SQ. N.W. COR BRIDGE

**VERTICAL DATUM:**  
N.G.V.D. MEAN SEA LEVEL

**LEGAL DESCRIPTION:**

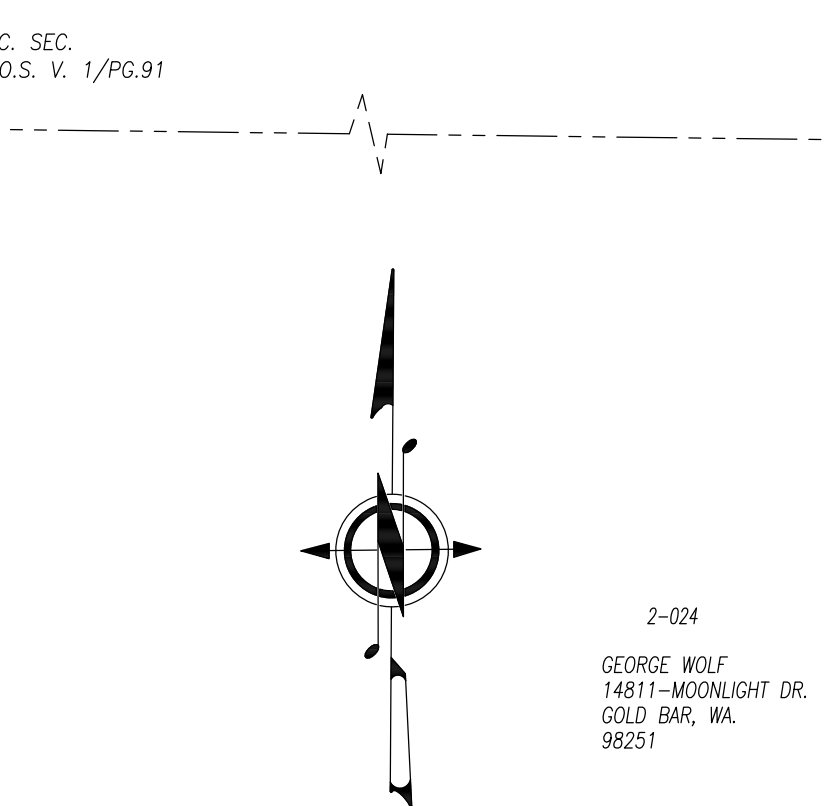
Parcel A:  
That portion of Government Lot 4, lying Westerly of the Wallace Lake Road as it is now located; the North 20 feet and the West 20 feet of the North half of the Northwest quarter of the Southeast quarter of the Northwest quarter of Section 5, Township 27 North, Range 9 East, W.M.

Except from said Government Lot 4 those portions conveyed to Snohomish County Washington for roads by deeds recorded under Auditor's File Numbers 669771 and 935464; and Except that portion of said Government Lot 4 lying Westerly of the County Road (Wallace Lake Road) as now located, deeded by Eugene D. Zelensky, as Executor of the Estate of Cecile M. Cushing, deceased, King County Probate Case No. 187046, to Leslie B. Miller and Helen Miller, his wife, said excepted parcel being described as that portion of Government Lot 4, Section 5, Township 27 North Range 9 East, W.M. lying West of the County Road (Wallace Lake Road) as it is now located;  
Except the West 683.34 feet; and  
Except the South 808.1 feet thereof.

Parcel B:  
Government Lot 6;  
Except the West 20 acres in Section 5, Township 27 North, Range 9 East, W.M.;  
Situate in the County of Snohomish, State of Washington.

**NOTES:**

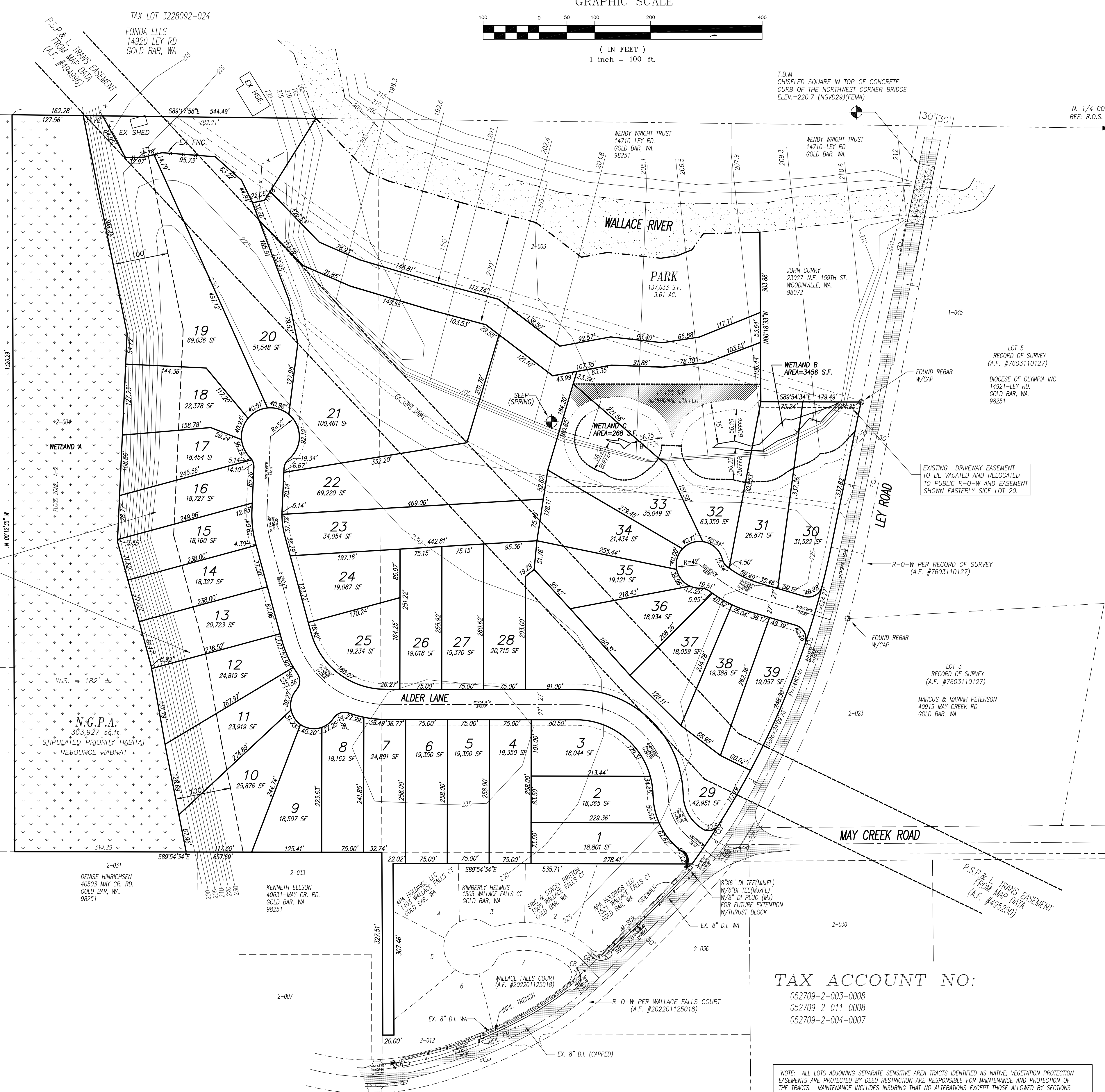
- TYP. B.S.B.L. (UNLESS OTHERWISE NOTED);  
FRONT YARD = 20'  
SIDE YARD = 5' (MIN.) 15' (TOTAL)  
REAR YARD = 20'
- LOT AREAS ARE APPROX.
- DRAINAGE AND PUBLIC ACCESS TRACTS TO BE DEDICATED TO THE CITY OF GOLD BAR.



**BASIS OF BEARING:**  
(R.O.S. VOL. 1 OF SURVEYS, PAGE 91)

CONTOUR INTERVAL = 5'  
CONTOURS FROM U.S. ARMY CORPS OF ENGINEERING MAP FOR DEPT. OF HOUSING AND URBAN DEV. DATED 1976 (CHECKED AND ADJUSTED BY D.G.W. JR & ASSOC.)

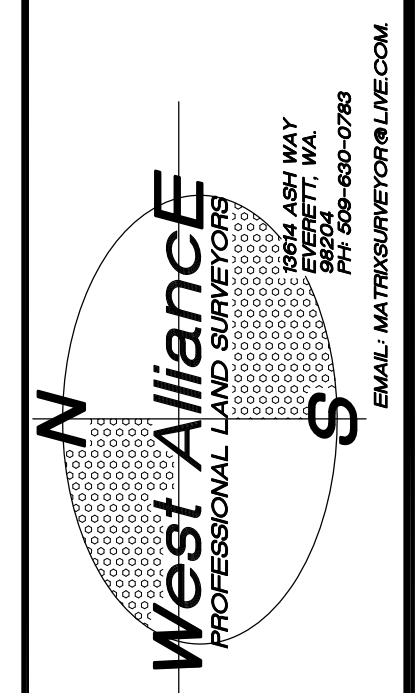
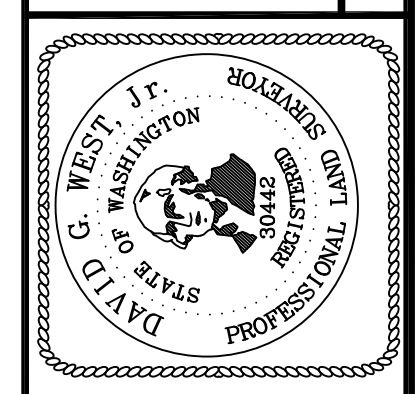
SIGNS SHALL BE WORDED AS FOLLOWS:  
\*PROTECTION OF THIS NATURAL AREA IS IN YOUR CARE. ALTERATION OR DISTURBANCE IS REGULATED BY LAW. PLEASE REFER TO GOLD BAR'S SENSITIVE AREA'S ORDINANCE OR CALL THE CITY OF GOLD BAR FOR MORE INFORMATION.\*



**TAX ACCOUNT NO:**  
052709-2-003-0008  
052709-2-011-0008  
052709-2-004-0007

\*NOTE: ALL LOTS ADJOINING SEPARATE SENSITIVE AREA TRACTS IDENTIFIED AS NATIVE VEGETATION PROTECTION EASEMENTS ARE PROTECTED BY DEED RESTRICTION ARE RESPONSIBLE FOR MAINTENANCE AND PROTECTION OF THE TRACTS. MAINTENANCE INCLUDES INSURING THAT NO ALTERATIONS EXCEPT THOSE ALLOWED BY SECTIONS 5 AND 6 OF THE SENSITIVE AREAS ORDINANCE OF THE CITY OF GOLD BAR OCCUR WITHIN THE SEPARATE TRACT AND THAT ALL VEGETATION REMAINS UNDISTURBED UNLESS THE EXPRESS WRITTEN AUTHORIZATION OF THE CITY OF GOLD BAR HAS BEEN RECEIVED.

JOB NUMBER:  
1. 5/12/2000 REV. REF. CITY LETTER DATED 5/12/2000  
2. 6/07/2000 REV. ROAD  
3. 8/16/2002 REINSTATED PRELIMINARY PLAT  
4. 11/22/2022 REVISED LOT LAY-OUT



PRELIMINARY PLAT  
**FALL VIEW**  
A RESIDENTIAL DEVELOPMENT

SHEET:  
11 OF 11